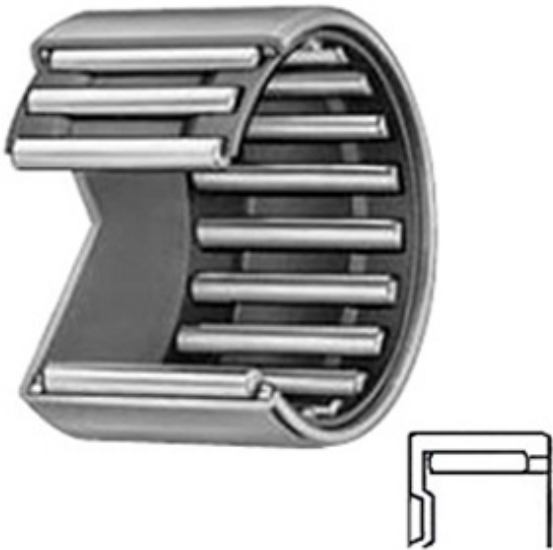




BEARING-SINGAPORE (PTE)LTD.



BHAM1816 Bearing 2D drawings and 3D CAD models

1.125 Inch | 28.575 Millimeter x 1.5 Inch | 38.1 Millimeter x 1 Inch | 25.4 Millimeter IKO
 BHAM1816 Needle Non Thrust Roller Bearings

Bearing No. BHAM1816

Category	Needle Non Thrust Roller Bearings
Inventory	0.0
Manufacturer Name	IKO
Minimum Buy Quantity	N/A
Weight	0.063
EAN	4549557003752
Product Group	B04144
Rolling Element	Needle Roller Bearing
Component	Roller Assembly with Outer Ring - No Inner Ring
Enclosure	Open
Self Aligning	No
Retainer	Yes
Number of Rows of Rollers	Single Row
Separable	No
Closed End	Yes
Inch - Metric	Inch
Relubricatable	No
Thrust Bearing	No
Long Description	1-1/8" Bore; 1-1/2" Outside Diameter; 1" Width; Needle Roller Bearing; Roller Assembly with Outer Ring - No Inner Ring; Open Enclosure; No Self Aligning; Yes Retainer; Single Row of



BEARING-SINGAPORE (PTE)LTD.

	RoI
Other Features	1 Rib Outer Ring Drawn Cup Bearing Heavy Duty
Category	Needle Non Thrust Roller Bearing
UNSPSC	31171512
Harmonized Tariff Code	8482.40.00.00
Noun	Bearing
Keyword String	Needle
Manufacturer URL	http://www.ikont.com
Manufacturer Item Number	BHAM1816
Weight / LBS	0.141
d	1.125 Inch 28.575 Millimeter
B	1 Inch 25.4 Millimeter
D	1.5 Inch 38.1 Millimeter